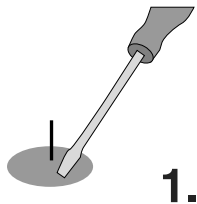
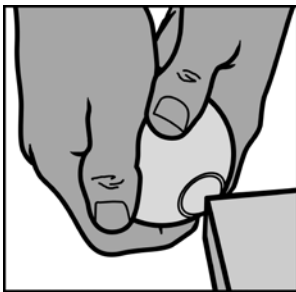
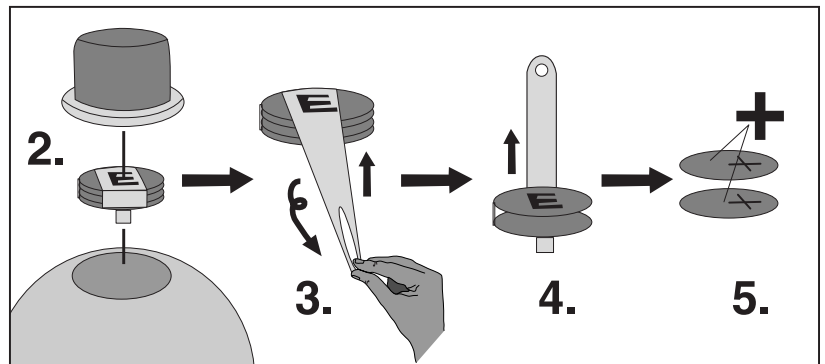


Meteorlight - L.E.D. Ball Instructions



1.



3. The Meteorlight™ L.E.D. Ball floats and is water resistant. NOTE: To minimize the possibility of corrosion damage, remove switch plug and carefully dry batteries and interior of compartments after contact with water. Then replace batteries, L.E.D. module and switch plug.
4. The Meteorlight™ L.E.D. Ball is intended to be used for throwing, catching, juggling and bouncing. High velocity impact via batting or slamming may compromise the product.
5. 4. as the isis 00bps20 and switch, 00 0.2 TD 00 mechanismior th the pr 346d 034g nended